



reddot award
winner



OVERVIEW

In continuous operation by commercial fleet operators and CPOs, in parking lots or as part of the urban public infrastructure: Wherever ultra-short charging times and a compact design are required, the DC Smart Charger demonstrates its advantages. Like all XCHARGE DC charging stations, the C6EU impresses with individual configuration options for the operator: the output power can be selected step by step up to 200 kW and deliver constantly up to 300A, the authorization method can be either payment terminal or RFID reader. And of course, the charger exterior and UI can always be individually adapted if required.

MAIN FEATURES

- **Compact, space-saving housing**

C6EU charging points can be accommodated on less than 0.5 square meters and weigh less than 400 kg. The cables are protected inside niches. The unique z-shaped ventilation system and a centrifugal fan contribute to an improved heat dissipation and extend the product life cycle.

- **Award winning design**

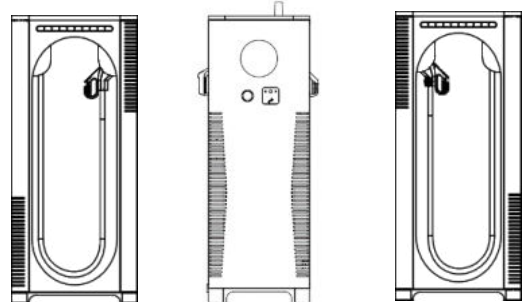
The C6EU fast charging station was awarded the reddot Award in 2016. At the front, the circular display guides the customer easily through the charging process. 60 LEDs at the sides present the operating status and the progress of the state of charge (SoC).

- **Highly customizable and future-proofed**

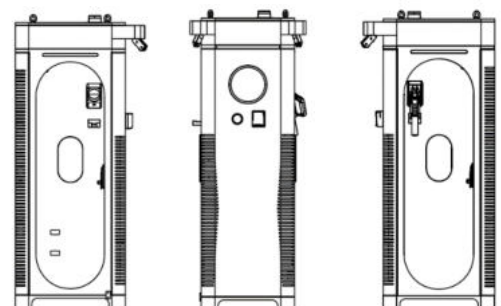
Choose your maximum output power up to 200 kW in 30- or 40kW steps according to your use case. Touch screen or not? Extra-long cables which may be supported by a cable management system? Double CCS connectors or mixed with CHAdeMO? It is your choice, 150 - 1000 V, suitable for every electric vehicle in the past, today and in the future. Our DC bestseller has been installed more than 3,500 units over the world.

DIMENSIONS

(LxWxH) 615 x 740 x 1750 mm



(LxWxH) 764 x 872 x 1981 mm



Product Specifications	C6EU
------------------------	------

Dimensions (LxWxH)	615 x 740 x 1750 mm or 764 x872x 1981 mm (with cable management system)
Weight	325 - 395 kg (depending on amount of power modules)
Connector	Single/Double CCS Combo 2 or CCS Combo 2 + CHAdeMO 2.0

Technical parameters	
Maximum output performance	60 to 150 kW (in 30 kW steps) or 80 to 200kW (in 40kW steps)
Maximum output current	300A Rated (400A boost within 20min)
Input voltage	3-phase 400 V _{AC} +/- 10 %, 50/60 Hz
Efficiency	96 % (at a nominal power output)
Power factor	99 % (at a nominal power output)
Total Harmonic Distortion (THD)	< 5 %

Communication	
Communication protocol	OCPP 1.6 J/S (1.6 Security & 2.0.1 ready) or XCHARGE protocol
Operation system	Android
Network connection	GPRS / 3G / 4G / LAN / WIFI (optional)
Authentication method	RFID / QR-code / Remote Command / Password/Payment Terminal (Nayax, Ingenico)

Environmental conditions	
Operational temperature range	- 25 °C to 55°C (- 25 °C to 50°C rated, 15% power derating at 55°C) - 40°C to 55°C (optional, with additional heat pump)
Operational humidity range	5 % to 95 % non-condensing
Noise level	< 65 dB

Highlights	
Remote diagnostics	Remote WebUI tool
LED and screen	LED indicators & 15-inch HD touch screen
Branding / advertising	PNG / JPG / MP4 (via screen display) & Customizable exterior color and stickers
Power Metering	AC meter with MID certificate / DC meter with Eichrecht certificate (optional)

Safety characteristics	
IP & IK Rating	IP54 & IK10
Residual current protection switch (RCD)	Type A
Safety protection	Over/Under voltage, Overload, Short Circuit, Anti-access, Earth leakage, Lightning, Overheat-protection
Access protection	Half cylinder lock 30/10

Standards	
IEC, ISO, DIN	IEC 61851-1:2011, IEC 61851-23:2014, IEC 61851-24:2014, IEC 62196-3:2014, ISO 15118, DIN 70121-2014, ISO 9001, ISO 14001:2015, ISO 45001:2018

Certification	
EEA, German Calibration Law, OCPP 1.6 & OCPP Security	CE, Eichrecht Compliant ¹ (DE MTP 22 B 012 M), MOBI.E, be.ENERGISED

Charging standard	CCS	CHAdeMO
Maximum output power	60 / 80 / 90 / 120 / 150 / 160 / 200 kW	60 kW
Output voltage range	200 - 1000 V _{DC}	150 - 500 V _{DC}
Maximum output current	200 A _{DC} / 250 A _{DC} / 300 A _{DC}	125 A _{DC}
Connection standard	IEC 61851-23	CHAdeMO 2.0
Cable assembly length	3.2 m; optional 5 / 7 / 10 m (with cable management system)	

1. Eichrecht available only on 60/90/120/150kW product Subject to updates, mistakes and technical changes



XCHARGE Europe GmbH
 Borsteler Bogen 27B, 22453 Hamburg
 eu@xcharge.com | T: +49 40 57 12 88 55
 www.xcharge.com/global/en/

